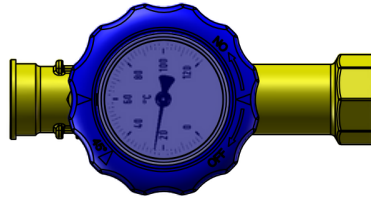
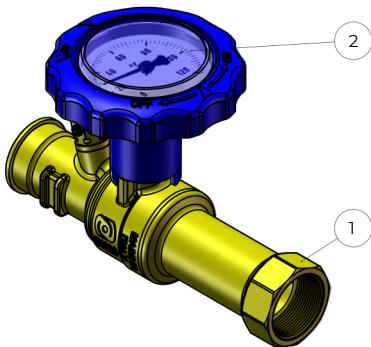


1964/W DN20 QUICK VALVE 3/4" F HANDLE BLUE THERMOMETER



Function

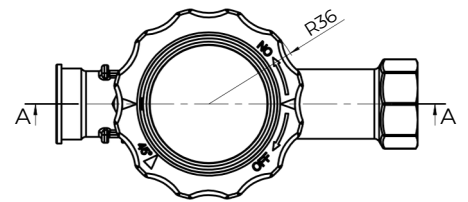
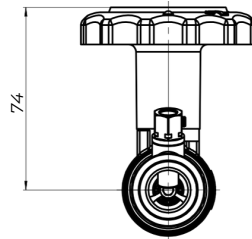
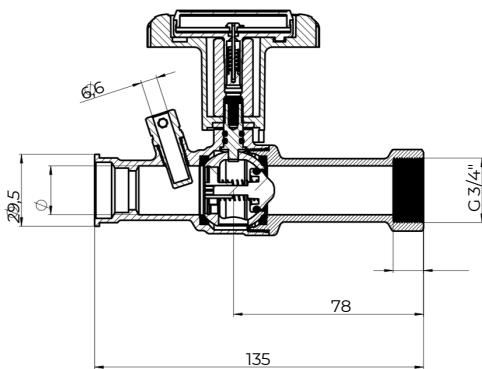
Quick drain valve with thermometer and integrated probe pocket



Composition

- 1) Valve Subassembly
- 2) Thermometer

Dimensions



Certifications

- Pressure equipment (PED 2014/68/EU)
- Safety components (UNI EN ISO 4126:2019)
- Ball ratings (UNI EN 1328:2004)
- Gas ball valves (UNI EN 331:2015)
- Components for drinking water (KTW and W270 guidelines)

