



Function

The fixed-point pump unit with mixing valve ensures the correct flow rate and pumping head in all heating systems where direct control of the supply temperature is required. The operating temperature is set on the thermostatic mixing valve to achieve effective and safe control of the system's supply side in cases where the temperature differs from that of the heat generator's output. The thermostatic valve is available with different calibration scales.

Technical data

Nominal diameter	DN20
Maximum pressure	PN10
Maximum flow rate	2000 l/h
Maximum operating temperature	95°-110° peak
Minimum operating temperature	+5°
Check valve opening	ΔP : 2kPa (200 mm approx.)
Fluid	Water-water + glycol max 30%
Thermometers	0-120°C
Supply voltage	230 V / 50 Hz
Electrical power consumption	Max 52 W
IP protection rating	IPX0D
External dimensions	250x400x210 mm
Pipes	Copper \varnothing 22 mm
Generator/manifold connections	1" M
Heating circuit connections	1" F
Pitch	125 mm
Circulator	Grundfos UPM3 Hybrid 25-70 ERP Ready
Connections	1" M
Pitch	180 mm
Pump head	7 mt
Mixing valve	Mod. VTA372-VTA572
Calibration	20° - 55°C

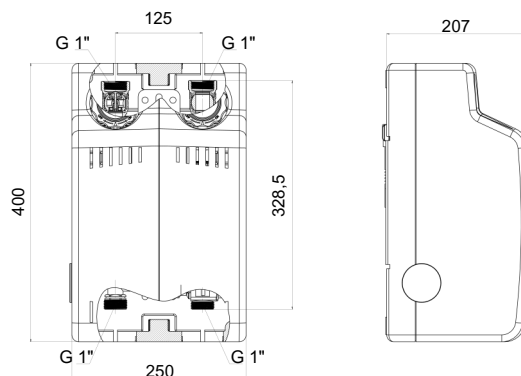
Materials

Pipes	Copper
Insulation	EPP
Circulators	Cast iron
Components	Brass/CW617N

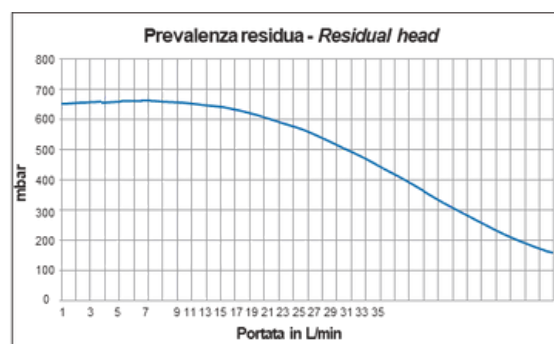
Maximum power

Max. power	Mixed
ΔT 8°C	20 kW
ΔT 10°C	24 kW
ΔT 15°C	36 kW
ΔT 20°C	48 kW

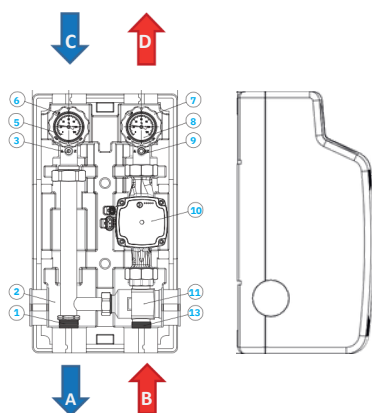
Dimensions



Diagram



Composition



- 1) Generator return fitting
- 2) Insulating cover
- 3) Check valve / Non-return valve
- 5) Heating return thermometer
- 6) Heating return/check valve tap
- 7) Heating supply tap
- 8) Heating supply thermometer
- 10) Heating circulator (pump)
- 11) Thermostatic mixing valve
- 13) Generator supply fitting

Accessories



THERMOSTATIC MIXING VALVE

Thermostatic Mixing Valve VTA 572
 10 - 30°C - Code 50105102
 20 - 55°C - Code 50105103
 30 - 70°C - Code 50105225

Certifications

Product compliant with:

- EN 16297-2 / EN 16297-3:2012 ErP Ready
- PED Directive 2014/68/EU
- Insulation compliant with EnEV 2014
- Recommended for cooling circuits

