



Function

The fixed-point pump unit with mixing valve ensures the correct flow rate and pumping head in all heating systems where direct control of the supply temperature is required. The operating temperature is set on the thermostatic mixing valve to achieve effective and safe control of the supply side of the system in cases where the required temperature differs from that of the heat generator. The thermostatic valve is available with different calibration ranges.

Technical data

| | |
|--------------------------------|--------------------------------------|
| Nominal diameter | DN32 |
| Maximum pressure | PN10 |
| Maximum flow rate | 2700 l/h |
| Maximum operating temperature | 95°-110° peak |
| Minimum operating temperature | +5° |
| Check valve opening | ΔP: 2kPa (200 mm approx.) |
| Fluid | Water-water + glycol max 30% |
| Thermometers | 0-120°C |
| Supply voltage | 230 V / 50 Hz |
| Electrical power consumption | Max 52 W |
| IP protection rating | IPX0D |
| External dimensions | 250x400x210 mm |
| Pipes | Copper Ø 35 mm |
| Generator/manifold connections | 1" 1/4 M |
| Heating circuit connections | 1" 1/4 F |
| Pitch | 125 mm |
| Circulator | Grundfos UPM3 Hybrid 25-70 ERP Ready |
| Connections | 1" 1/2 M |
| Pitch | 180 mm |
| Pump head | 7 mt |
| Mixing valve | Mod. VTA372-VTA572 |
| Calibration | 20° - 55°C |

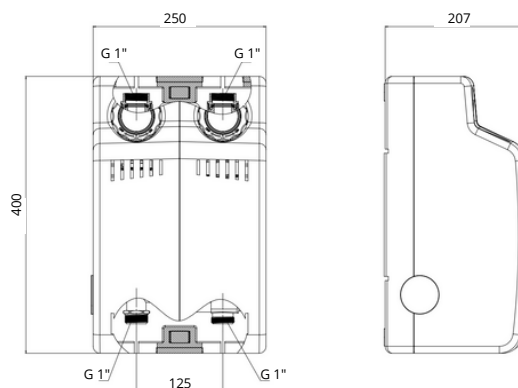
Materials

| | |
|-------------|--------------|
| Pipes | Copper |
| Insulation | EPP |
| Circulators | Cast iron |
| Components | Brass/CW617N |

Maximum power

| | |
|------------|-------|
| Max. power | Mixed |
| ΔT 8°C | 20 kW |
| ΔT 10°C | 24 kW |
| ΔT 15°C | 36 kW |
| ΔT 20° C | 48 kW |

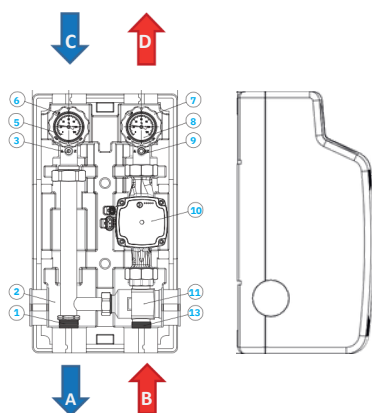
Dimensions



Diagram



Composition



- 1) Generator return fitting
- 2) Insulating cover
- 3) Check valve / Non-return valve
- 5) Heating return thermometer
- 6) Heating return/check valve tap
- 7) Heating supply tap
- 8) Heating supply thermometer
- 10) Heating circulator (pump)
- 11) Thermostatic mixing valve
- 13) Generator supply fitting

Accessories



THERMOSTATIC MIXING VALVE

Thermostatic Mixing Valve VTA 572
 10 - 30°C - Code 50105102
 20 - 55°C - Code 50105103
 30 - 70°C - Code 50105225

Certifications

Product compliant with:

- EN 16297-2 / EN 16297-3:2012 ErP Ready
- PED Directive 2014/68/EU
- Insulation compliant with EnEV 2014
- Recommended for cooling circuits

