



## Function

The NOVAMAT group is a pre-assembled and tested hydraulic kit capable of guaranteeing the circulation of the carrier fluid and the anti-condensation function between a biomass generator and a heating circuit. Ensuring a correct preheating phase and an always correct return temperature to the generator guarantees significantly higher efficiency and life time of the generator. NOVAMAT becomes fundamental in the case of circuits combined with a thermal storage as the constant low return temperature could irremediably damage the primary exchanger.

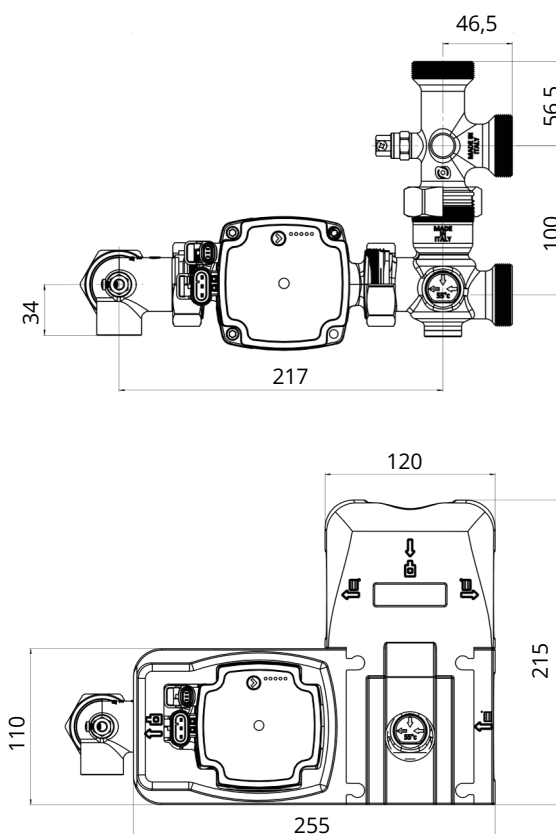
## Primary hydraulic circuit

Nominal diameter	DN25
Max. pressure	PN10
Max. working temperature	95°-110° Peak
Min. working temperature	+5°
Shut-off valves (optional)	DN25
P valve opening not rit.	$\Delta P: 2KpA(200 \text{ approx})$
Liquid	Water-water+glycol max 30%
External dimensions	277x215x130 mm
IP protection rating	IPX0D
Generator connection	1" 1/4 M - F
Wheelbase	217 mm
Heating connections	1" 1/4 M - M
Wheelbase	125 mm
Circulator	Grundfos UPM3 hybrid 15-70 Erp ready
Connections	1" 1/2 M
Wheelbase	130 mm
Max power $\Delta T 10^\circ C$	35 kW
Max power $\Delta T 25^\circ C$	85 kW
Residual head at 1,000 l/h	6.2 m.w.c.
Single electrical absorption	Max 52W
Thermostatic anti-condensation valve	Art.3550-1 "1/2
Kws	5.8
Calibration	60°C
Connections	1" 1/2 M

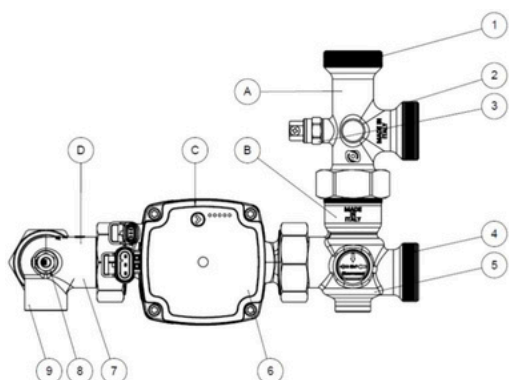
## Materials

Pipes	Copper
Insulation	EPP
Circulators	Cast iron
Components	Brass/CW617N

## Dimensions



## Composition



- 1) Generator flow connection
- 2) Heating system flow connection
- 3) Sensor port on flow line
- 4) Heating system return connection
- 5) Anti-condensation valve
- 6) Circulator
- 7) Return fitting
- 8) Sensor port on return line
- 9) Expansion vessel connection

- A) Heating generator flow
- B) Heating flow
- C) Heating return
- D) Heat generator return

## Certifications

- Product compliant with:
- EN 16297-2 / EN 16297-3:2012 ErPReady
  - PED Directive - 2014/68/EU



## Accessories



### UPM3 CIRCULATOR

CIRCULATOR UPM3 HYBRID 15/70 - 130  
(Cod. CF105336)



### THERMOSTATIC ANTI-CONDENSATION VALVE

THERMOSTATIC ANTI-CONDENSATION VALVE  
(Cod. C0105009-50)



### MOTORIZED 3 - WAY MIXING VALVE

- 3/4M x 3/4F RED HANDLE (Cod. 10305138)
- 3/4M x 3/4F BLUE HANDLE (Cod. 10305142)



### BLUE VALVE

DN20 QUICK CONNECTION VALVE x 3/4" F WITH  
BLUE HANDLE AND THERMOMETER  
(Cod. 10405012)