

SAFETY VALVE 5003

ART. 5003



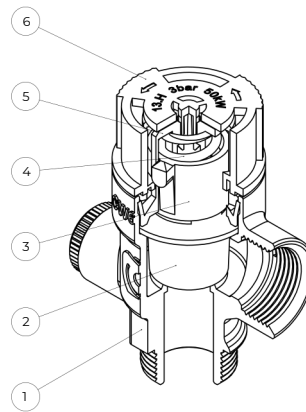
Function

Safety discharge valves are used as a protection element against pressure increases in closed environments, for installation in heating and cooling systems filled with water or a water-glycol mixture (red cap), and in domestic hot water systems (blue cap). The valve's opening pressure corresponds to the nominal pressure and is indicated on the valve cap.

Technical data

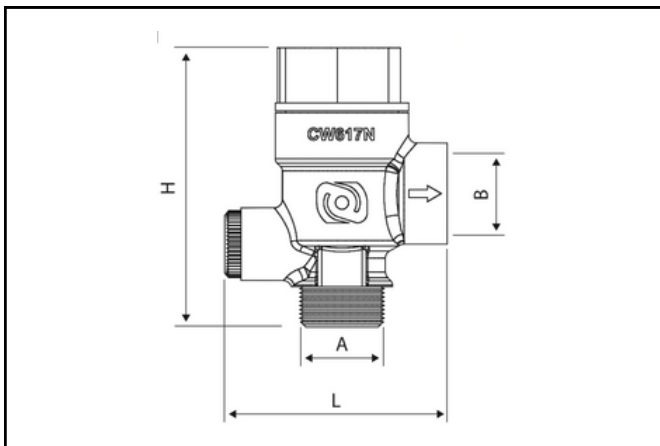
V-Select safety valve	For heating
Cap color	Red
Fluid	Water, water/glycol
Operating temperature	-20 - 110°C

Composition



- 1) Body
- 2) Cap
- 3) Piston
- 4) Spring
- 5) Sleeve
- 6) Knob

Installation



The installation must be carried out by a professionally qualified person, in compliance with current regulations for pressurized piping systems and in good condition. Before installing the safety valve, it is necessary to thoroughly flush the systems to prevent impurities from entering the safety valve. The safety valve must be installed in a heating system with a boiler as close as possible to the highest point of the boiler, in heating and cooling systems directly at the hot/cold source, and in sanitary water systems, the safety valve must be installed on the cold water inlet to the water heater. The discharge connections must be equipped with an appropriate shut-off device (such as a funnel) to discharge the release pressure.

A	B	L	H
1/2 M	1/2 F	56	69

Temperature range: -20°C / +110°C

Available pressure bars: 1,5 - 2 - 2,5 - 3 - 4 - 6 - 7 - 8 - 10

