

ART. 3424

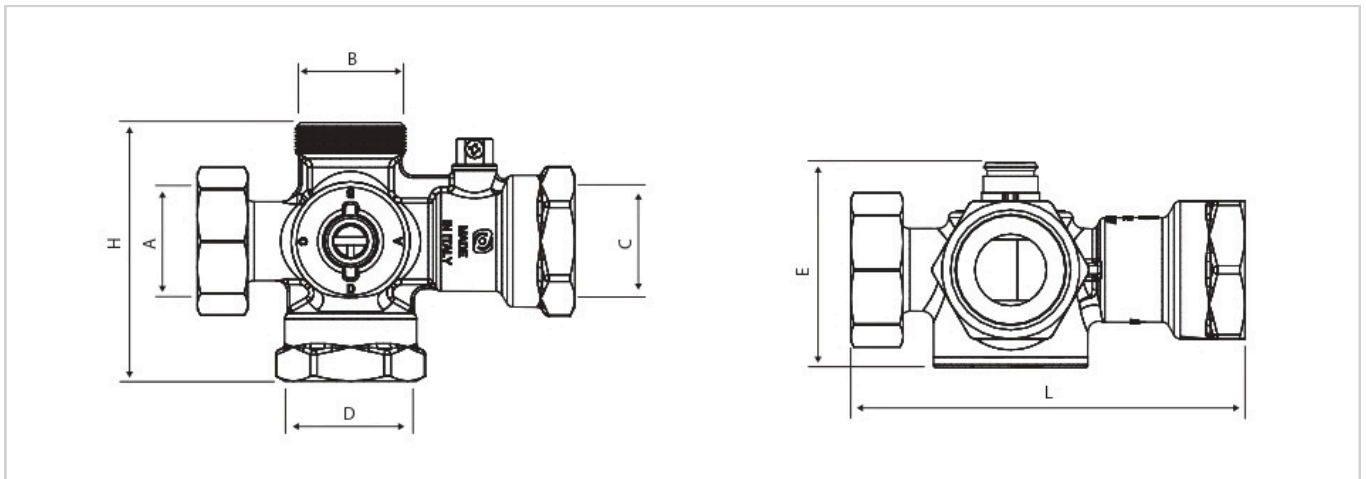


Function

Motorized 4-Way Mixing Valve:

- Probe holder included
- Power supply voltage: 230V/50 Hz
- Max. operating pressure: 10 bar
- Actuation mode: 3-point control
- Max. temperature: 110°C

Technical data



COD.	DN	A	B	C	D	E	L	H
M0105424	20	1" ½ F	1" ¼ M	1" ¼ F	1" ¼ F	75	132	98