

ART. 3562

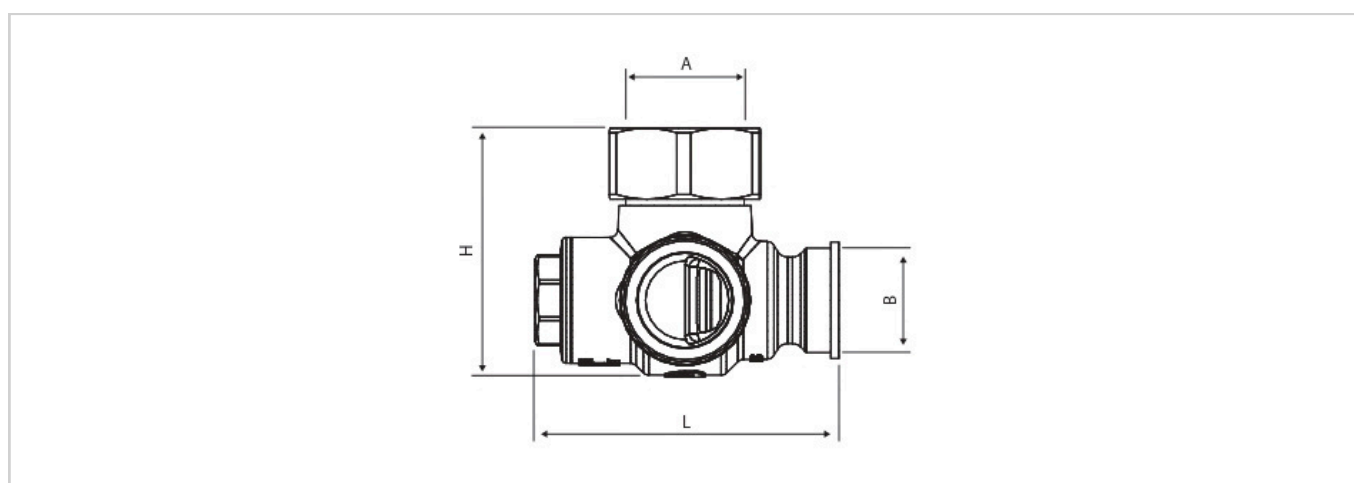



Function

3-Way Valve Suitable for Thermostatic Mixing.

The high-performance brass valve is suitable for use in heating systems with a standard calibration temperature of 60°C. The main feature of this anticondensation thermostatic mixer is its eccentricity, which helps the connection in particular situations, saving both time and space

Technical data



ART	COD.	°C	DN	A	B	L	H	KIT TERMOSTATICO / THERMOSTATIC		
3562	M0105562-50	50°	20	1" F	Tubo Hose ø 18	80	74		50°C	C0505078
	M0105562-60	60°							60°C	C0505079
	M0105562-65	65°							65°C	C0505080
	M0105562-70	70°							70°C	C0505081