

AUTOMATIC AIR VENT

ART.AV01



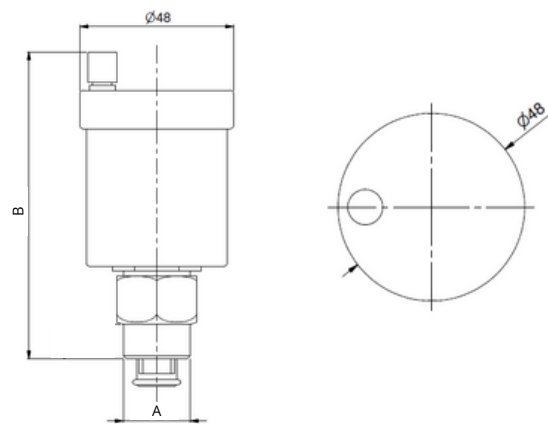
Function

Accessory for solar thermal systems, designed for the automatic removal of air and gases from the primary circuit. The air vent helps maintain system efficiency by reducing the risk of circulation blockages, noise, and performance loss

Technical data

Type	Automatic Air Release Valve
Material	Brass
Maximum operating pressure	10 bar
Maximum discharge pressure	2.5 bar
Maximum operating temperature	110°C

Dimensions



COD.	COD.	USE	A	B
80105303	CF105303	Heating	3/8 M	80
80105311	CF105311	Heating	1/2 M	80
80105301	CF105301	Solar	3/8 M	80
80105306	CF105306	Solar	1/2 M	80