

SAFETY VALVE 4002

ART. 4002



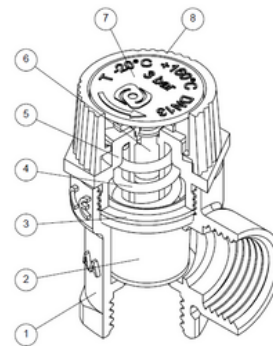
Function

Safety discharge valves are used as protective elements against pressure increase for installation in closed environments, heating and cooling systems filled with water or a mixture of water and glycol (red cap), and systems with sanitary water (blue cap). The valve opening pressure is equal to the nominal pressure and is indicated on the valve cap.

Technical data

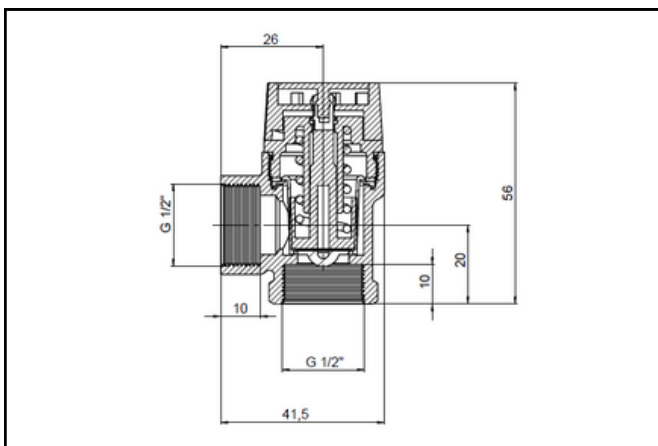
Safety valve application vselect	For heating
Cap color	Red
Fluid	Water, water/glycol
Operating temperature	-20 to 110°C

Composition



- 1) Body
- 2) Cap
- 3) Washer
- 4) Spring
- 5) Sleeve
- 6) Piston
- 7) Insert
- 8) Handle

Installation



The installation must be carried out by a professionally qualified person, in compliance with current regulations for pressurized piping systems and in good condition. Before installing the safety valve, it is necessary to thoroughly flush the systems to prevent impurities from entering the safety valve. The safety valve must be installed in a heating system with a boiler as close as possible to the highest point of the boiler, in heating and cooling systems directly at the hot/cold source, and in sanitary water systems, the safety valve must be installed on the cold water inlet to the water heater. The discharge connections must be equipped with an appropriate shut-off device (such as a funnel) to discharge the release pressure.

A	B	L	H
1/2 F	1/2 F	42	56

Temperature range: -20°C / +110°C

Available pressure bars: 1.5 - 2 - 2.5 - 3 - 4 - 6

